

7930S

## *Concerto*

The 7930S Concerto fills the need for triple display support in a parabolic array, giving the user the ability to find the ultimate ergonomic position at an affordable price.

### *7900 series*

#### Features & Benefits

Flexibility and more options for the end user with a simple, easy-to-use Allen wrench adjustment

The Concerto supports a 20 lbs load capacity (per screen)

The arm swivels 360° around the base, increasing the options for display position

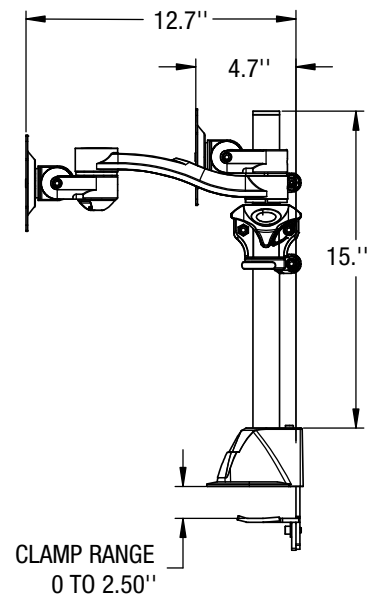
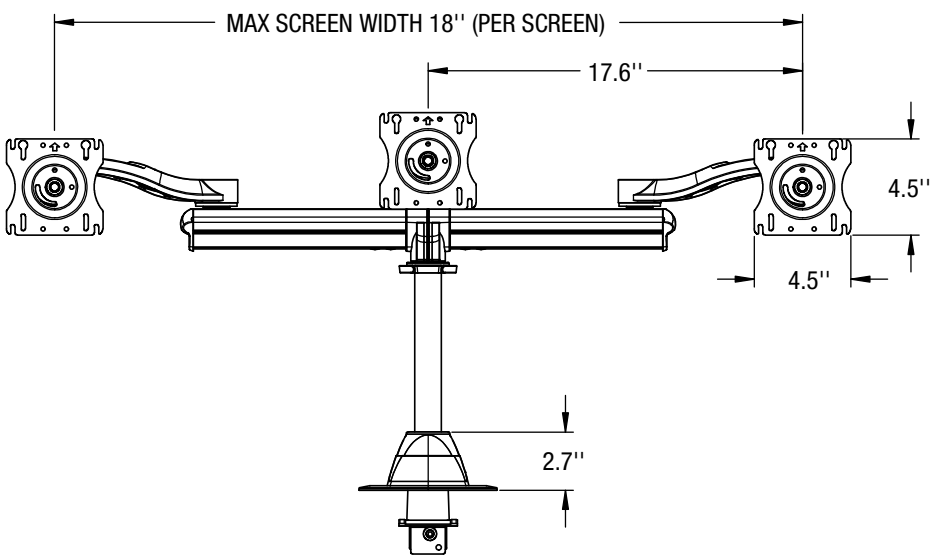
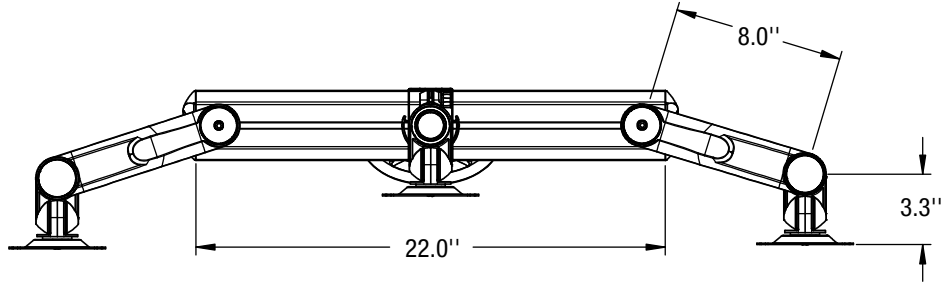
Options are available for panel, wall and slatwall mounting configurations

Desk clamp and grommet mount hardware are included to minimize SKUs

Clamp and grommet adjustable to fit most desks and work surfaces

Monitor mounting bracket, with Quick Connect, contains 75mm and 100mm hole patterns to comply with VESA standards

Allows for a maximum 18" screen width

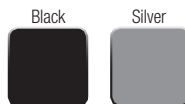


### Concerto Beam Mount 7800 series

Model	Description
7930S	Triple-Screen, two Single Extension arms, one Pole-Mounted on beam

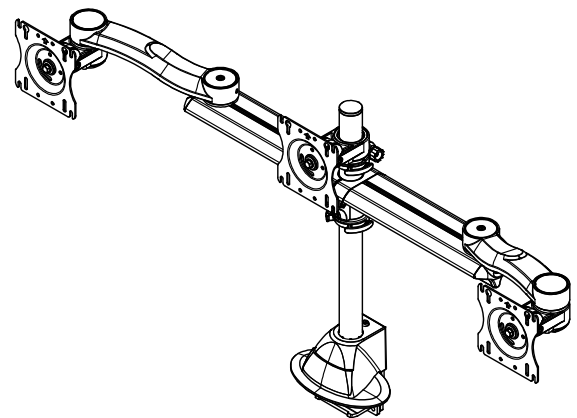
### Color Options

To specify color, other than silver, replace the "S" in the part number with: **B** = Black



For example, to get a "7930S" in white, order 7930B.

Note: Specifications are subject to change without notice.



2700 Oak Industrial Dr. NE  
 Grand Rapids, MI 49505-6026 USA  
 1.800.253.1561 | 616.459.3311  
 Fax: 877.636.3290  
[www.kv.com](http://www.kv.com)

This and other KV literature is available for download at [www.kv.com](http://www.kv.com) > Resource Library

Knap & Vogt reserves the right to change product specifications at any time without notice and without incurring responsibility for existing units.  
 ©2017 Knap & Vogt. KV and the KV logo are trademarks of Knap & Vogt.